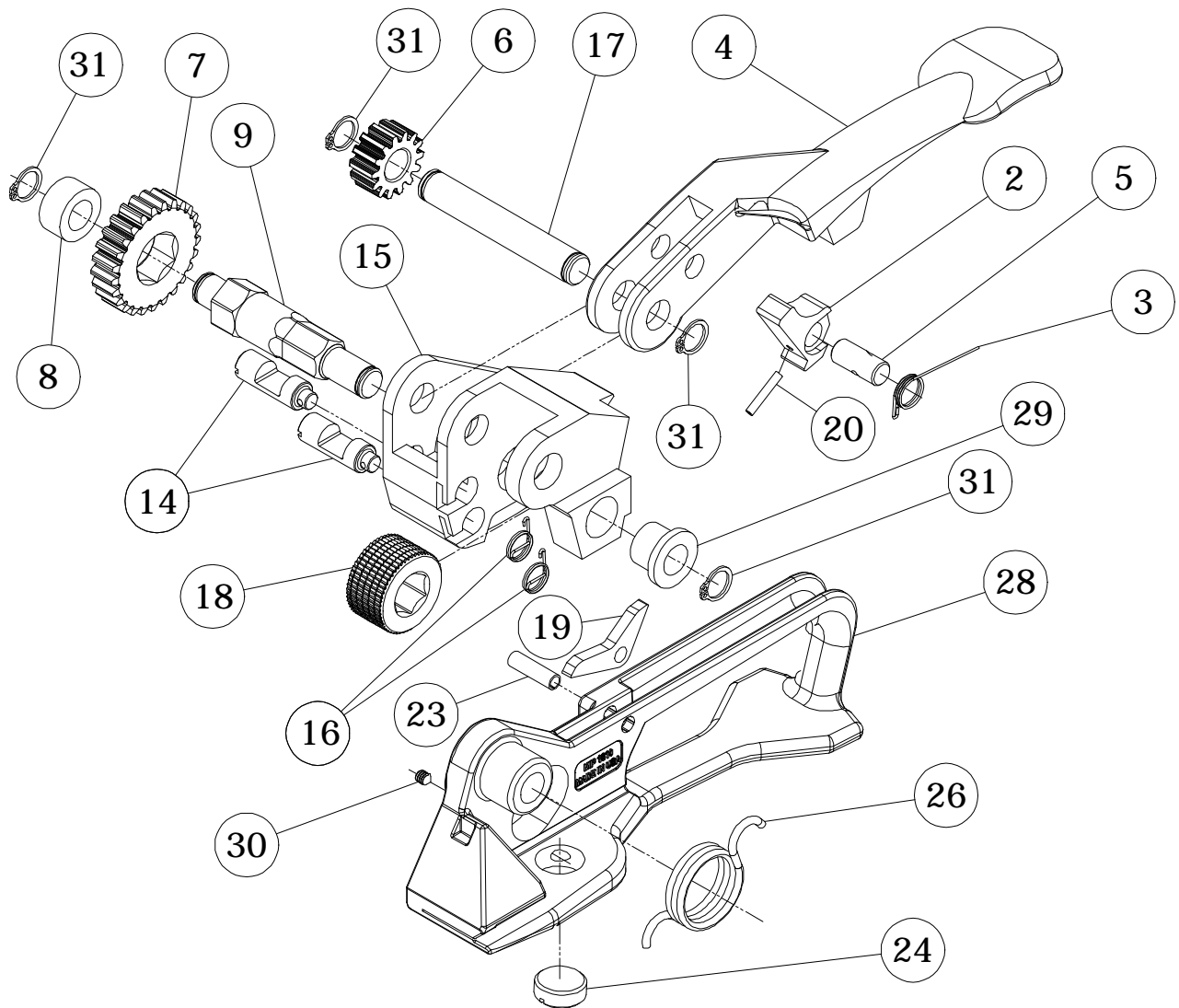


MIP - 1610 COMPACT FEEDWHEEL PUSHER TOOL



<u>KEY#</u>	<u>DESCRIPTION</u>	<u>QTY</u>	<u>PART#</u>	<u>KEY#</u>	<u>DESCRIPTION</u>	<u>QTY</u>	<u>PART#</u>
• 2	Drive Pawl	1	M1610-2	17	Pivot Pin	1	M1610-17
• 3	Spring Drive Pawl	1	M1610-3	• 18	Feedwheel	1	M1610-18
4	Tension Handle	1	M1610-4	19	Lift Arm	1	M1610-19
• 5	Pawl Pin	1	M1610-5	20	Spirol Pin	1	M1610-20
• 6	Pinion Gear	1	M1610-6	23	Base Roll Pin	1	M1610-23
• 7	Tension Gear	1	M1610-7	24	Wear Plug	1	M1610-24
8	Bushing	1	M1610-8	• 26	Base Spring	1	M1610-26
9	Feedwheel Shaft	1	M1610-9	28	Base	1	M1610-28
• 14	Hold Pawl	2	M1610-14	29	Gear Housing Bushing	1	M1610-29
15	Gear Housing	1	M1610-15	• 30	Set Screw	1	M1610-30
• 16	Holding Pawl Spring	2	M1610-16	• 31	Retaining Ring	4	M1610-31

Reference part number when ordering.

- **Key wear part**

Read all operating & safety instructions.

MIP-1610 OPERATING INSTRUCTIONS

OPERATING INSTRUCTIONS:

1. Pull strapping from cart and bring around load. Push seal on with flat side of seal facing outside of strap. (Figure 1)
2. Slide end of strap through bottom of seal and fold over the end to form a “hook.” (Figure 2)
3. Squeeze the tension handle of the MIP-1610 down to the base and put top strap through pusher tool with the seal against the nose of the tool. Release the tension handle to clamp back down on the strap. (Figure 3) Be sure the strap is flush with the inside edge of the MIP-1610.
4. Tighten strap by moving the tension handle back and forth.
5. Seal the pusher seal with an appropriate heavy-duty sealer, according to sealer manufacturer’s instructions.
6. With seal secured, tilt the whole tool forward over the seal and back again approximately three times to bend and break the banding. Squeeze the tension handle of the MIP-1610 down to the base to release from the end of the strap.

Figure 1

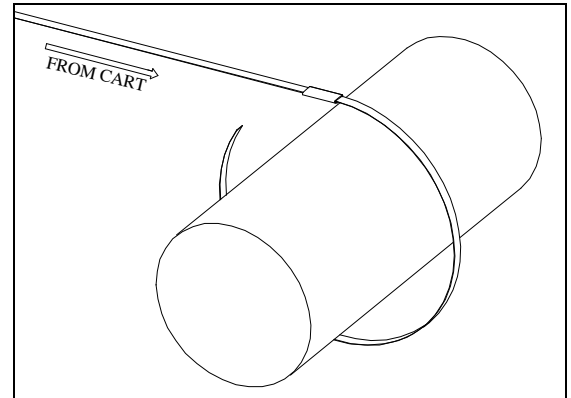


Figure 2

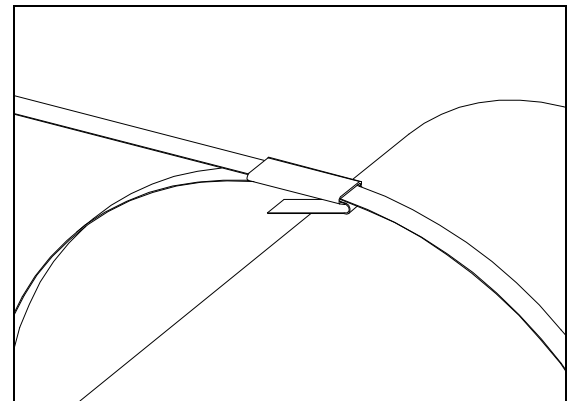
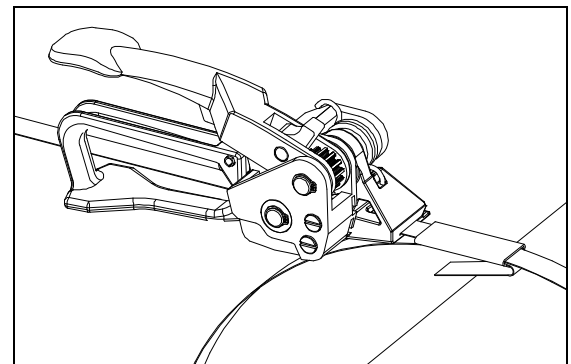


Figure 3



SAFETY WARNINGS:

- Before operating the tool, review the enclosed MIP, Inc. General Hand Tools and Strapping Safety booklet. Only trained personnel should operate MIP, Inc. hand tools.
- Only use equipment recommended for the strap. The MIP-1610 is recommended only for 3/8” x .015 through 3/4” x .025 gauge steel.
- Dangerous breakage may occur due to excessive tensioning, possibly resulting in severe injury or death. Tension strap in moderation.
- Keep fingers away from areas that can pinch or cut. These areas are primarily located at the front of the tool.
- Review the instructions and safety material on a regular basis.
- **Warning:** Unsafe use may result in blindness, severe laceration, amputation, or death.

